

DLX DC120925

CCTV POWER SUPPLY UNIT SERIES



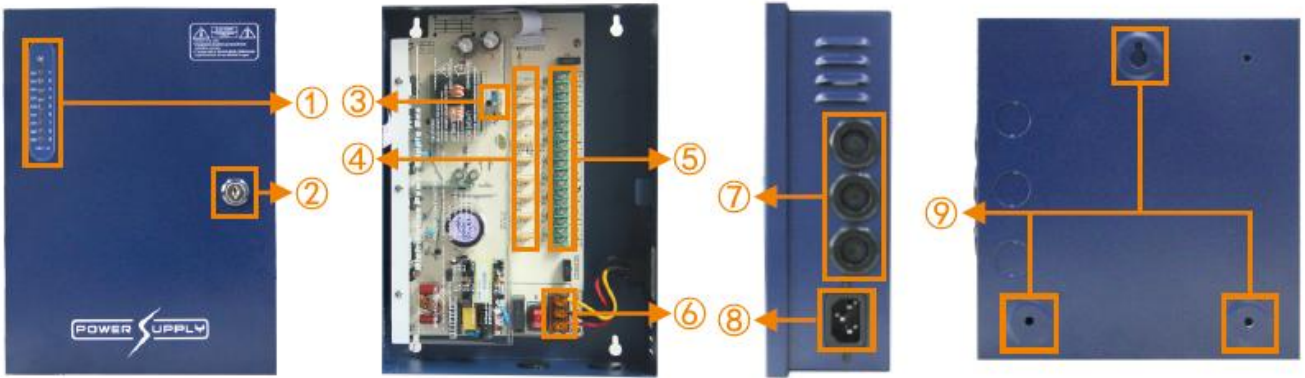
Features :

1. Wall type royal blue baking finished shell, delicate appearance, easy installation.
2. Universal AC input range: 96-264VAC, 47-63Hz.
3. 9 channel individual tube fuse, fuse cuts automatically while short circuit, over current, overload happens, and keep whole power supply system work properly.
4. Cooling by free air convection
6. External LED indicator for each channel output.
7. 100% full load burn-in test. High efficiency, long service life, high reliability
8. All using 105 long life electrolytic capacitors and world famous brand new components.
9. Operating temperature: -30 ~70 (40 100% full load burn-in test, 70 70% full load burn-in test).

Application: It is mainly applied to CCTV systems.

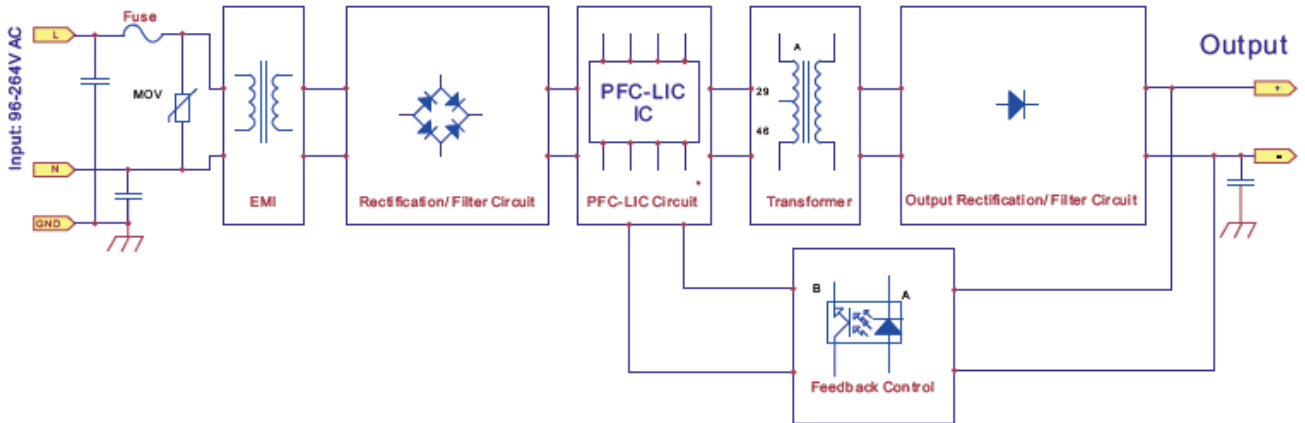
Model		DLX-DC120925
Output	Output Channel	9 way
	Output Voltage	12VDC
	Rated Current	25A
	Current Range	0--25A
	Rated Power	300W
	Output ADJ. Range	11-15VDC
	Voltage Accuracy	±5.0%
	Line Regulation	±1%
	Load Regulation	±2%
	Ripple & Noise	≤240mVp-p
	Set-up Time & Hold up Time	>50mS (230VAC input, full load); <1.5S (230VAC input, full load)
Input	Voltage Range	96-264VAC
	AC Current (Typ.)	<4.5A
	Frequency Range	47---63Hz
	Power Factor(Typ.)	PF≥ 0.95/230VAC; PF≥ 0.98/115VAC at full load
	Efficiency (Typ)	≥85%
	Leakage Current	<3mA
	Surge Protection	≤40A/240V
Protection	Over Load	105-150%(rated output voltage)
	Over Voltage	1.5 times of the rated voltage
	Over Current	yes
	Shorted Circuit	Cut off output voltage, recover automatically when faults removed
Environment	Operating Temp.	-10----70 (Refer to "Derating Curve")
	Operating Hum.	20%---90% RH non-condensing
	Storage Temp. & Hum.	-20----85 20%---95% RH
Safety & EMC	Safety Standards	IEC/EN/UL/CSA 60950 GB4943
	Withstand Voltage	IP-OP: 1.5KV, IP-FG: 1.5KV, OP-FG 0.5KVAC 30S
	EMC Immunity & Emission	EN61000-4-2,3,4,5,6,8,11; EN61000-3-2,3; EN55022 CLASS B
	EMC Anti-interference	Compliance to EN61000-4; ENV50204, Class A Light industry standard
Others	Dimension (L*W*H mm)	289*216*65mm
	Weight	2243g
	Package	Packed with paper box, 5pcs/carton
Note	<ol style="list-style-type: none"> 1. Installer, maintainer must be professional, and should cut off all power before installation. 2. Products are used indoor only. 3. Connect the ground wire before power on. 4. Install on concrete or nonflammable surface only. 5. Apply to the area which elevation is lower than 2000 meters. 	

Details

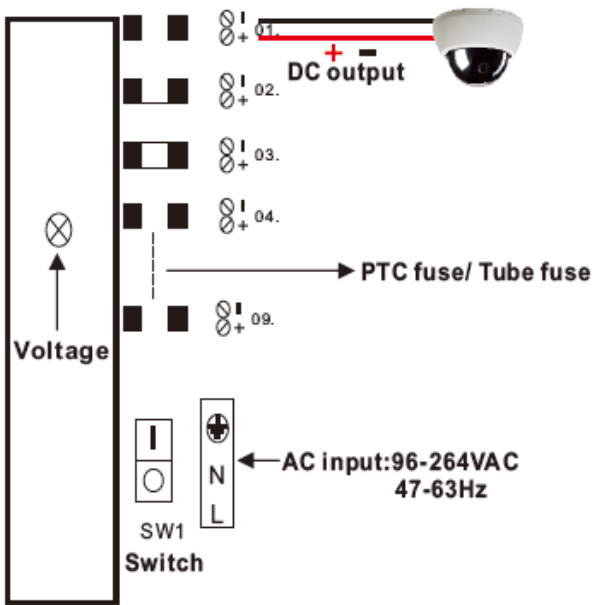


- | | |
|-----------------------------------|-------------------------|
| ① Individual LED indicator | ⑥ DC Terminal |
| ② Key Slot | ⑦ Cable threading holes |
| ③ Adjusted Button | ⑧ Kettle Lead |
| ④ Individual Fuse (Tube Fuse/PTC) | ⑨ Hanging Holes |
| ⑤ AC Terminal | |

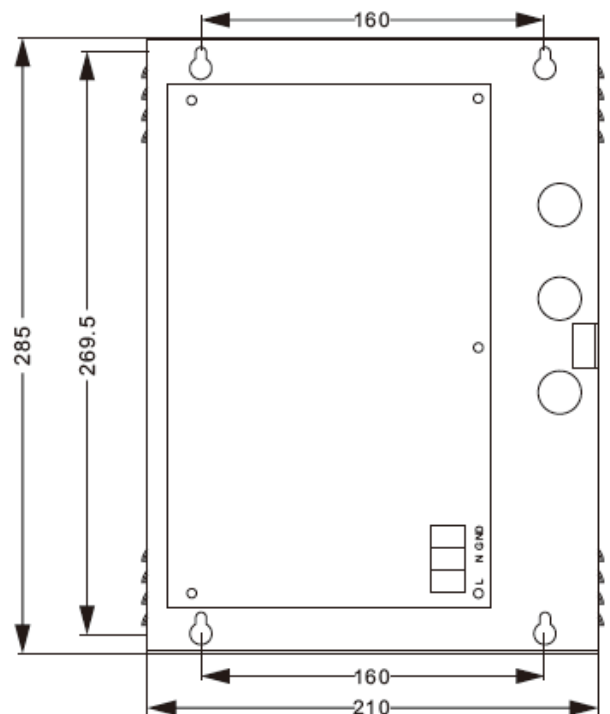
Schematic Diagram



Connection Diagram



Installation Holes



Packing

